

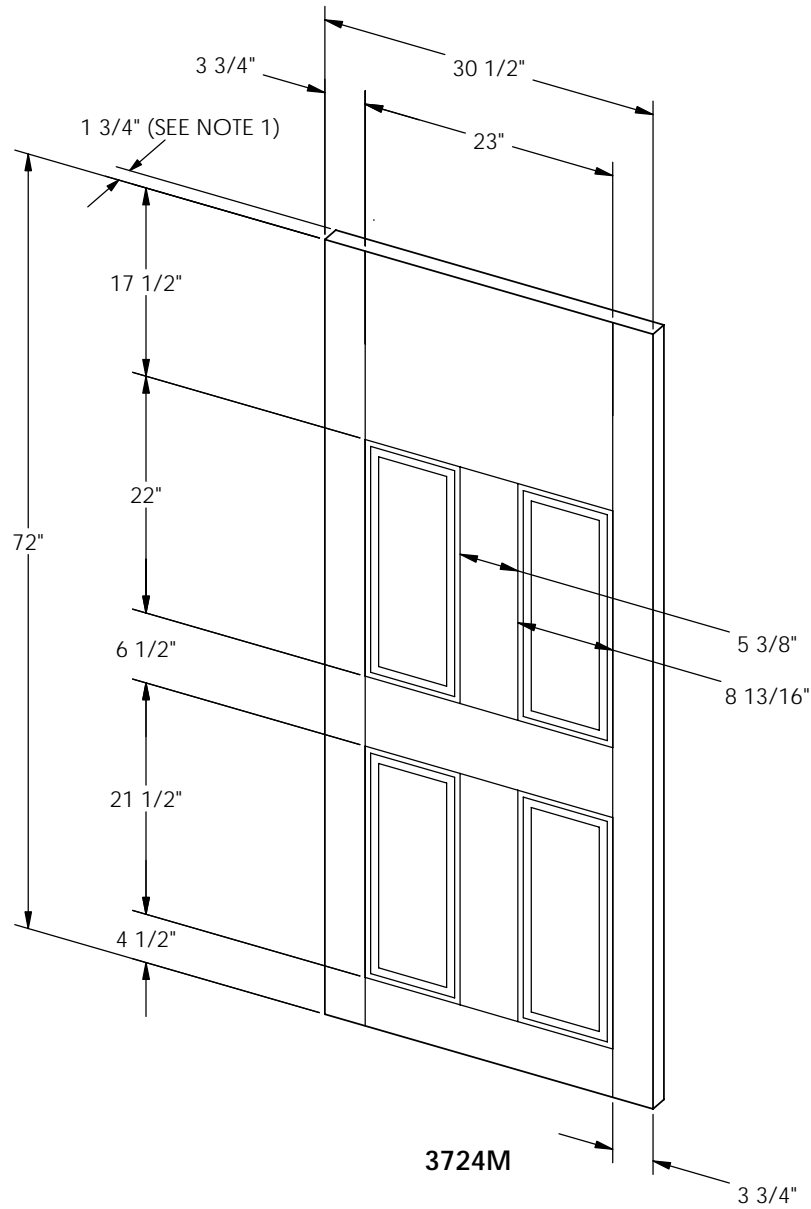


**NOTES:**



1. DOORS ARE AVAILABLE IN 1 3/4" AND 1 1/4" THICKNESS.
2. FIBERGLASS WOOD GRAINED SKINS.

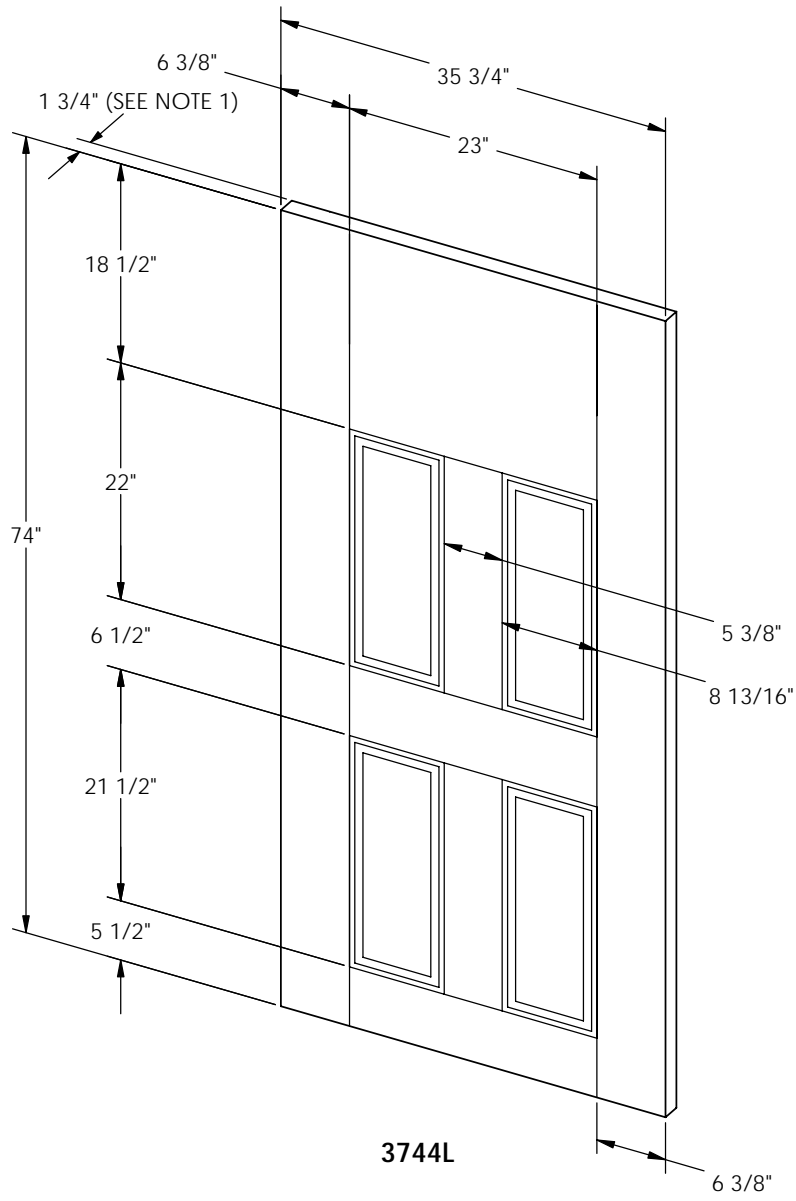
				 <small>The "American Shanty" brand is a part of the Ryan-AL, Inc. family of products.</small>  <small>DOOR SYSTEMS</small> <small>"BUILT TO LAST... BUILT TO FIT"</small>			
-		INITIAL RELEASE		06-01-15		BLAIR	
REV.	DESCRIPTION	DATE	BY				
UNLESS OTHERWISE SPECIFIED: DIMENSIONS ARE IN INCHES TOLERANCES: ANGULAR: ±1° PROFILE: ± FABRICATION: ± DO NOT SCALE DRAWING		PROPRIETARY AND CONFIDENTIAL THE INFORMATION CONTAINED IN THIS DRAWING IS THE SOLE PROPERTY OF Ryan-AL, Inc. ANY REPRODUCTION IN PART OR AS A WHOLE WITHOUT THE WRITTEN PERMISSION OF Ryan-AL, Inc IS PROHIBITED.					
TITLE:		4-PANEL F.G. DOOR					
DWG. NO.		3724L				REV -	
DRAWN: BLAIR		SCALE: 1:1		SHEET 1 OF 1			



**NOTES:**



1. DOORS ARE AVAILABLE IN 1 3/4" AND 1 1/4" THICKNESS.
2. FIBERGLASS WOOD GRAINED SKINS.

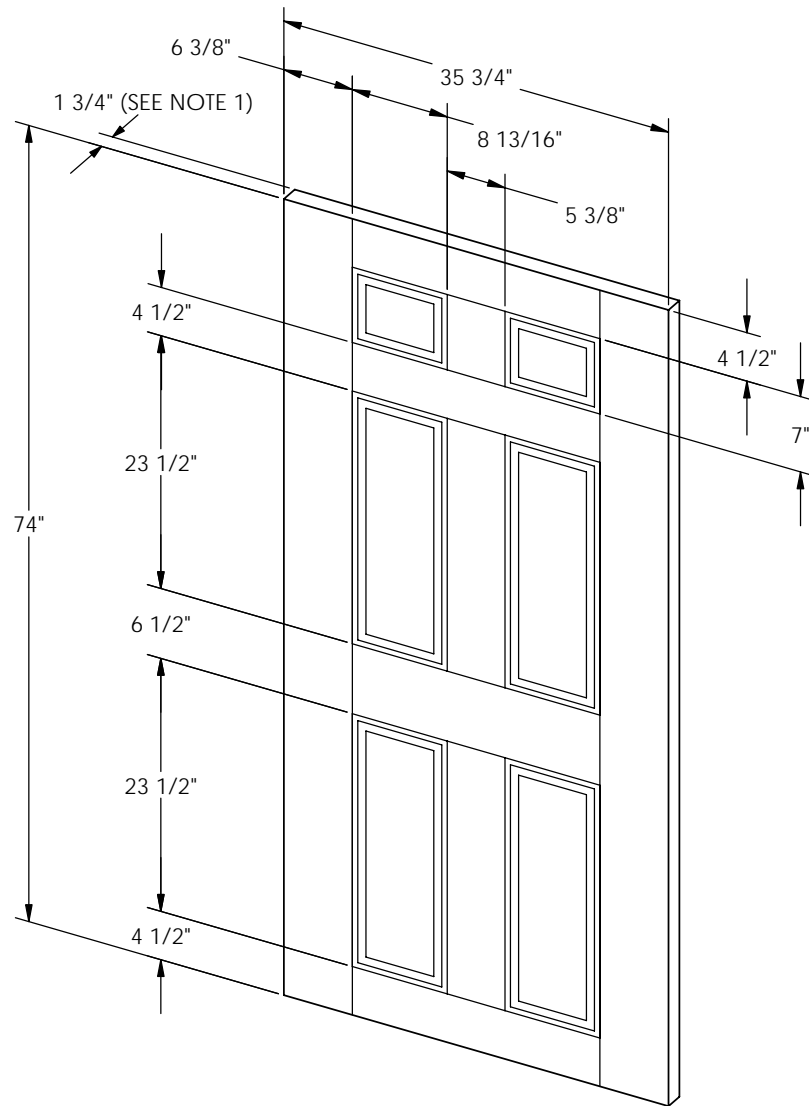
						<small>The "American Shanty" brand is a part of the Ryan-AL, Inc. family of products.</small>			
-		INITIAL RELEASE		06-01-15		BLAIR		TITLE:	
REV.	DESCRIPTION	DATE	BY	<b>4-PANEL F.G. DOOR</b>					
<small>UNLESS OTHERWISE SPECIFIED: DIMENSIONS ARE IN INCHES TOLERANCES: ANGULAR: ±1° PROFILE: ± FABRICATION: ±</small>				<small>PROPRIETARY AND CONFIDENTIAL THE INFORMATION CONTAINED IN THIS DRAWING IS THE SOLE PROPERTY OF Ryan-AL, Inc. ANY REPRODUCTION IN PART OR AS A WHOLE WITHOUT THE WRITTEN PERMISSION OF Ryan-AL, Inc IS PROHIBITED.</small>					
		DO NOT SCALE DRAWING		DWG. NO.		3724M		REV. -	
				DRAWN: BLAIR		SCALE: 1:1		SHEET 1 OF 1	



**NOTES:**

1. DOORS ARE AVAILABLE IN 1 3/4" AND 1 1/4" THICKNESS.
2. FIBERGLASS WOOD GRAINED SKINS.


				 The "American Shanty" brand is a part of the Ryan-AL, Inc. family of products.		 DOOR SYSTEMS "BUILT TO LAST... BUILT TO FIT"	
-		INITIAL RELEASE		06-01-15		BLAIR	
REV.	DESCRIPTION	DATE	BY		TITLE:		
					<b>4-PANEL F.G. DOOR</b>		
UNLESS OTHERWISE SPECIFIED: DIMENSIONS ARE IN INCHES TOLERANCES: ANGULAR: ±1° PROFILE: ± FABRICATION: ±		PROPRIETARY AND CONFIDENTIAL THE INFORMATION CONTAINED IN THIS DRAWING IS THE SOLE PROPERTY OF Ryan-AL, Inc. ANY REPRODUCTION IN PART OR AS A WHOLE WITHOUT THE WRITTEN PERMISSION OF Ryan-AL, Inc IS PROHIBITED.		DWG. NO.		REV	
DO NOT SCALE DRAWING				3744L		-	
		DRAWN: BLAIR		SCALE: 1:1		SHEET 1 OF 1	

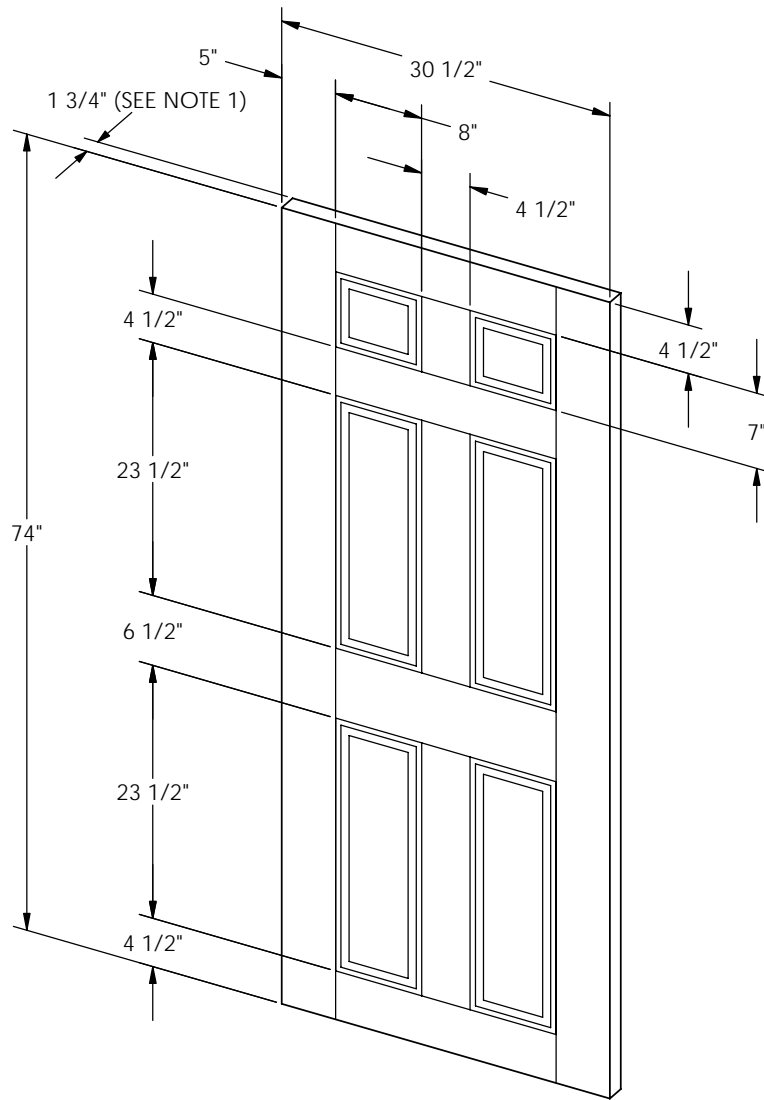


3746L

**NOTES:**

1. DOORS ARE AVAILABLE IN 1 3/4" AND 1 1/4" THICKNESS.
2. FIBERGLASS WOOD GRAINED SKINS.



				 <small>The "American Shanty" brand is a part of the Ryan-AL, Inc. family of products.</small>  <small>DOOR SYSTEMS "BUILT TO LAST... BUILT TO FIT"</small>	
-		INITIAL RELEASE	06-01-15	BLAIR	
REV.	DESCRIPTION	DATE	BY		
<small>UNLESS OTHERWISE SPECIFIED: DIMENSIONS ARE IN INCHES TOLERANCES: ANGULAR: ±1° PROFILE: ± FABRICATION: ±</small>		<small>PROPRIETARY AND CONFIDENTIAL THE INFORMATION CONTAINED IN THIS DRAWING IS THE SOLE PROPERTY OF Ryan-AL, Inc. ANY REPRODUCTION IN PART OR AS A WHOLE WITHOUT THE WRITTEN PERMISSION OF Ryan-AL, Inc IS PROHIBITED.</small>			
		TITLE:		6-PANEL F.G. DOOR	
DWG. NO.		3746L		REV	-
DRAWN: BLAIR		SCALE: 1:1	SHEET 1 OF 1		

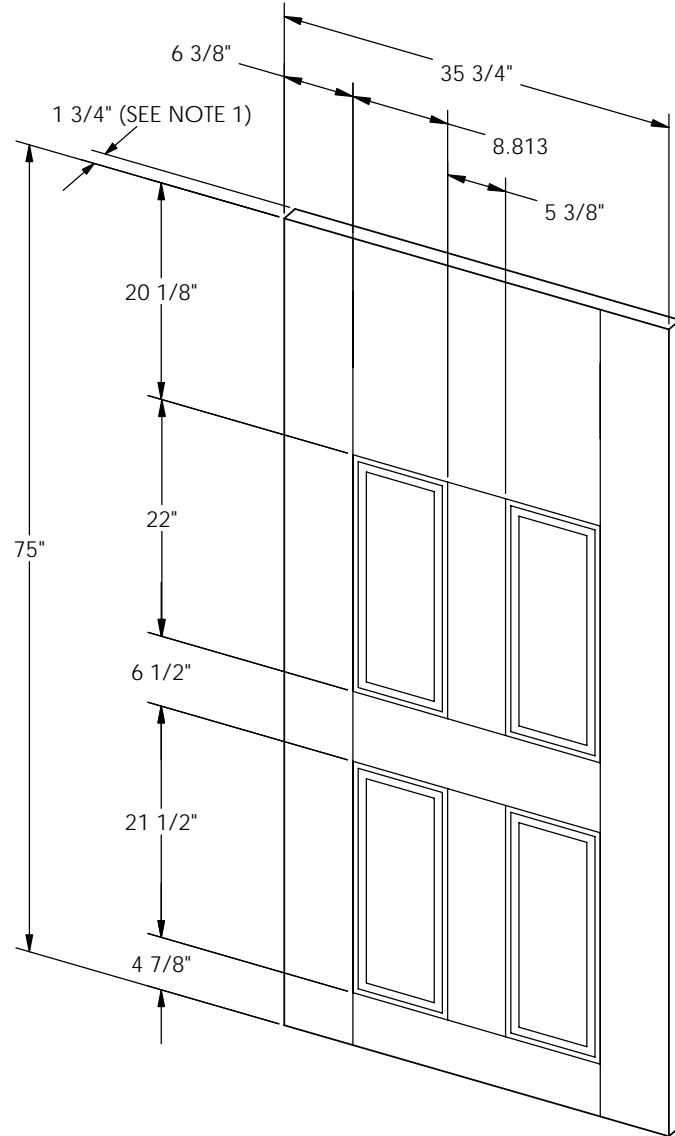


3746M

**NOTES:**

1. DOORS ARE AVAILABLE IN 1 3/4" AND 1 1/4" THICKNESS.
2. FIBERGLASS WOOD GRAINED SKINS.



				 <small>The "American Shanty" brand is a part of the Ryan-AL, Inc. family of products.</small>  <small>DOOR SYSTEMS</small> <small>"BUILT TO LAST... BUILT TO FIT"</small>	
-		INITIAL RELEASE	06-01-15	BLAIR	
REV.	DESCRIPTION	DATE	BY		
<small>UNLESS OTHERWISE SPECIFIED:          DIMENSIONS ARE IN INCHES          TOLERANCES:          ANGULAR: ±1°          PROFILE: ±          FABRICATION: ±</small>		<small>PROPRIETARY AND CONFIDENTIAL          THE INFORMATION CONTAINED IN THIS DRAWING IS THE SOLE PROPERTY OF Ryan-AL, Inc. ANY REPRODUCTION IN PART OR AS A WHOLE WITHOUT THE WRITTEN PERMISSION OF Ryan-AL, Inc IS PROHIBITED.</small>			
		TITLE:		6-PANEL F.G. DOOR	
		DWG. NO.		3746M	
		DRAWN: BLAIR		SCALE: 1:1	REV -
				SHEET 1 OF 1	

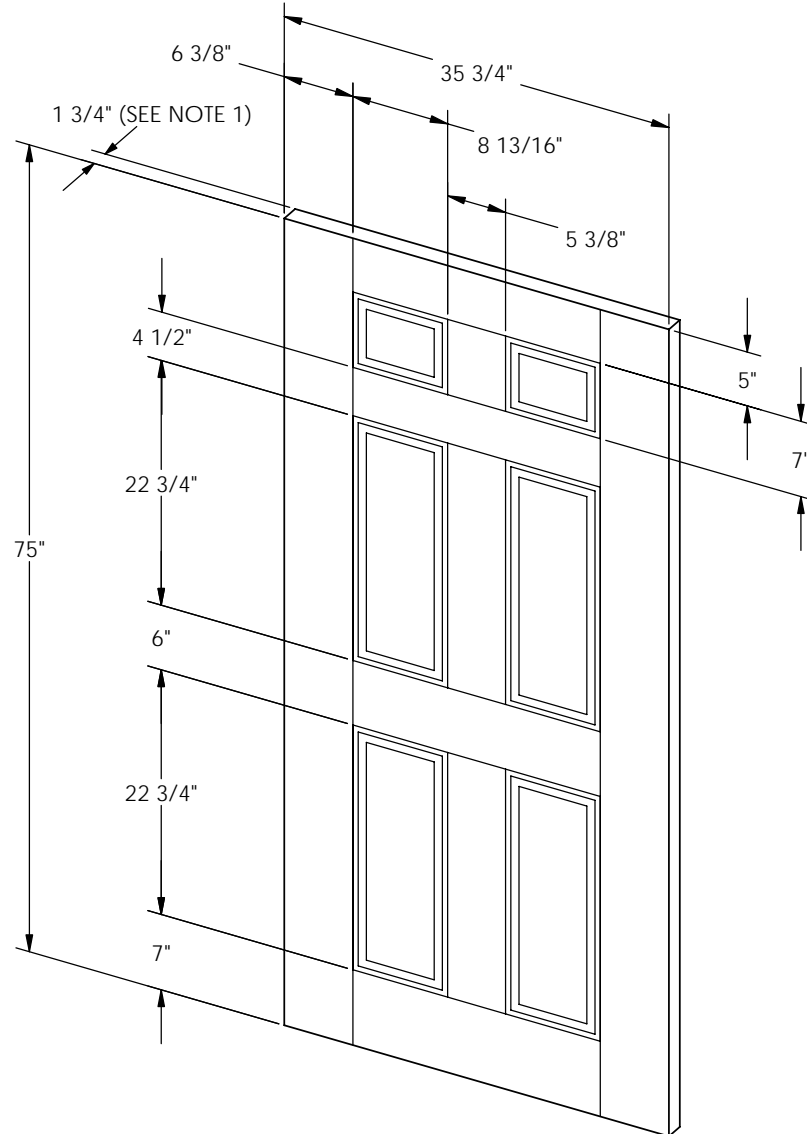


3754L

**NOTES:**

1. DOORS ARE AVAILABLE IN 1 3/4" AND 1 1/4" THICKNESS.
2. FIBERGLASS WOOD GRAINED SKINS.



				 <small>The "American Shanty" brand is a part of the Ryan-AL, Inc. family of products.</small>  <small>DOOR SYSTEMS "BUILT TO LAST... BUILT TO FIT"</small>	
-		INITIAL RELEASE	06-01-15	BLAIR	
REV.	DESCRIPTION	DATE	BY		
<small>UNLESS OTHERWISE SPECIFIED: DIMENSIONS ARE IN INCHES TOLERANCES: ANGULAR: ±1° PROFILE: ± FABRICATION: ±</small>		<small>PROPRIETARY AND CONFIDENTIAL THE INFORMATION CONTAINED IN THIS DRAWING IS THE SOLE PROPERTY OF Ryan-AL, Inc. ANY REPRODUCTION IN PART OR AS A WHOLE WITHOUT THE WRITTEN PERMISSION OF Ryan-AL, Inc IS PROHIBITED.</small>			
		TITLE:		4-PANEL F.G. DOOR	
DWG. NO.		3754L		REV	-
DRAWN: BLAIR		SCALE: 1:1	SHEET 1 OF 1		

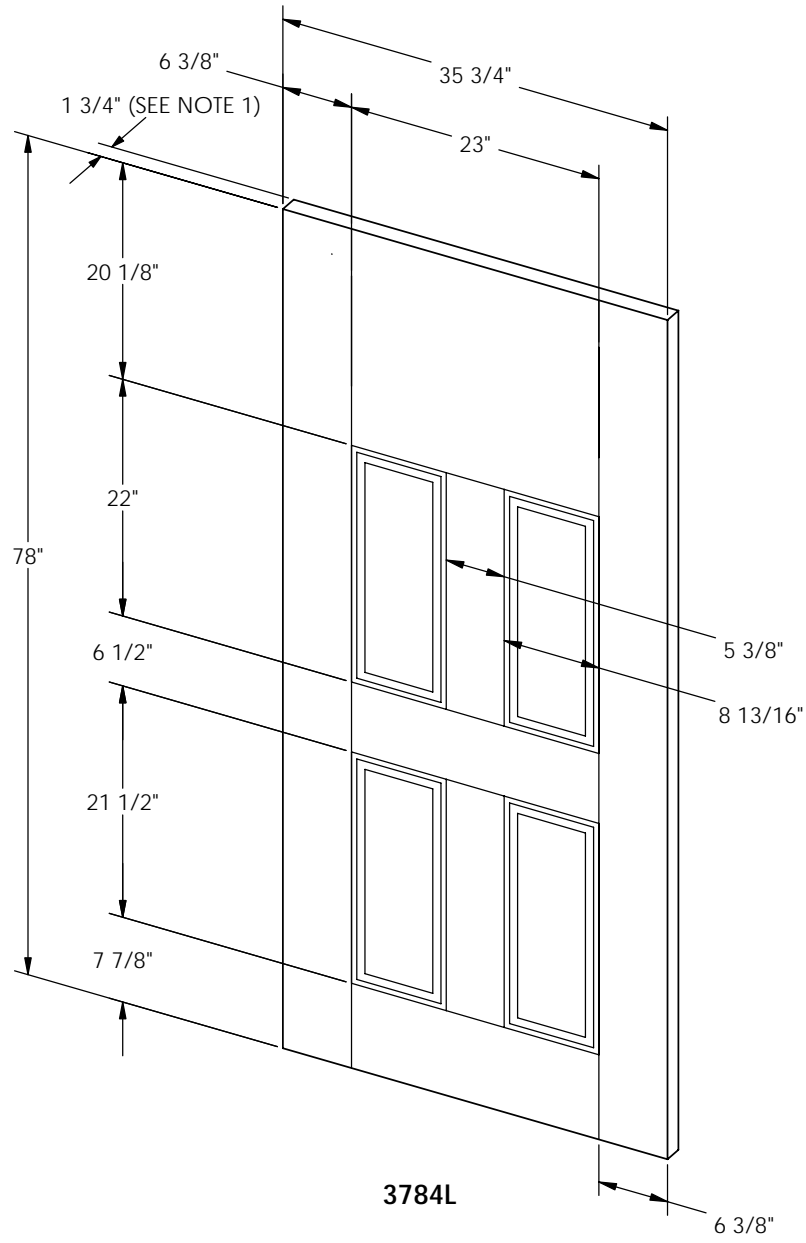


3756L

**NOTES:**



1. DOORS ARE AVAILABLE IN 1 3/4" AND 1 1/4" THICKNESS.
2. FIBERGLASS WOOD GRAINED SKINS.

				 <small>The "American Shanty" brand is a part of the Ryan-AL, Inc. family of products.</small>  <small>DOOR SYSTEMS</small> <small>"BUILT TO LAST... BUILT TO FIT"</small>	
-		INITIAL RELEASE	06-01-15	BLAIR	
REV.	DESCRIPTION	DATE	BY		
UNLESS OTHERWISE SPECIFIED: DIMENSIONS ARE IN INCHES TOLERANCES: ANGULAR: ±1° PROFILE: ± FABRICATION: ±		PROPRIETARY AND CONFIDENTIAL THE INFORMATION CONTAINED IN THIS DRAWING IS THE SOLE PROPERTY OF Ryan-AL, Inc. ANY REPRODUCTION IN PART OR AS A WHOLE WITHOUT THE WRITTEN PERMISSION OF Ryan-AL, Inc IS PROHIBITED.			
DO NOT SCALE DRAWING		TITLE:		6-PANEL F.G. DOOR	
		DWG. NO.		3756L	
		DRAWN: BLAIR		SCALE: 1:1	SHEET 1 OF 1
		REV		-	

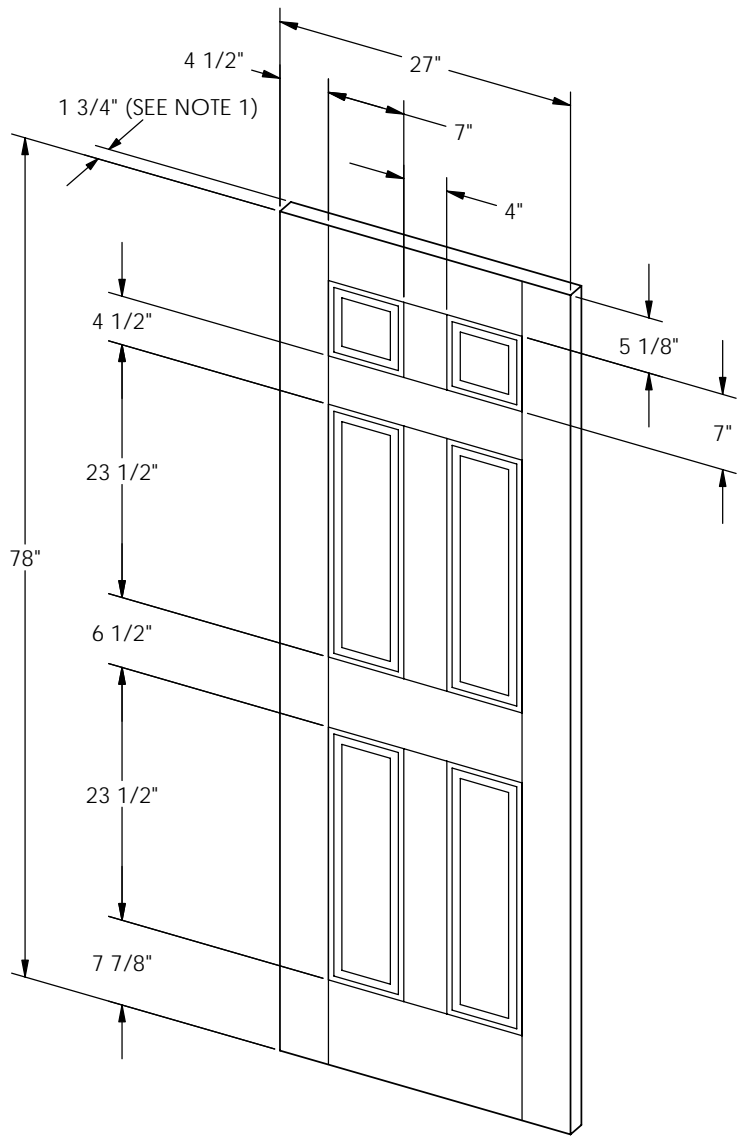


**NOTES:**

1. DOORS ARE AVAILABLE IN 1 3/4" AND 1 1/4" THICKNESS.
2. FIBERGLASS WOOD GRAINED SKINS.

				 <small>The "American Shanty" brand is a part of the Ryan-AL, Inc. family of products.</small>  <small>DOOR SYSTEMS "BUILT TO LAST... BUILT TO FIT"</small>			
-		INITIAL RELEASE		06-01-15		BLAIR	
REV.	DESCRIPTION	DATE	BY				
<small>UNLESS OTHERWISE SPECIFIED: DIMENSIONS ARE IN INCHES TOLERANCES: ANGULAR: ±1° PROFILE: ± FABRICATION: ± DO NOT SCALE DRAWING</small>				<small>PROPRIETARY AND CONFIDENTIAL THE INFORMATION CONTAINED IN THIS DRAWING IS THE SOLE PROPERTY OF Ryan-AL, Inc. ANY REPRODUCTION IN PART OR AS A WHOLE WITHOUT THE WRITTEN PERMISSION OF Ryan-AL, Inc IS PROHIBITED.</small>			
		TITLE:				4-PANEL F.G. DOOR	
DWG. NO.		3784L				REV -	
DRAWN: BLAIR		SCALE: 1:1		SHEET 1 OF 1			





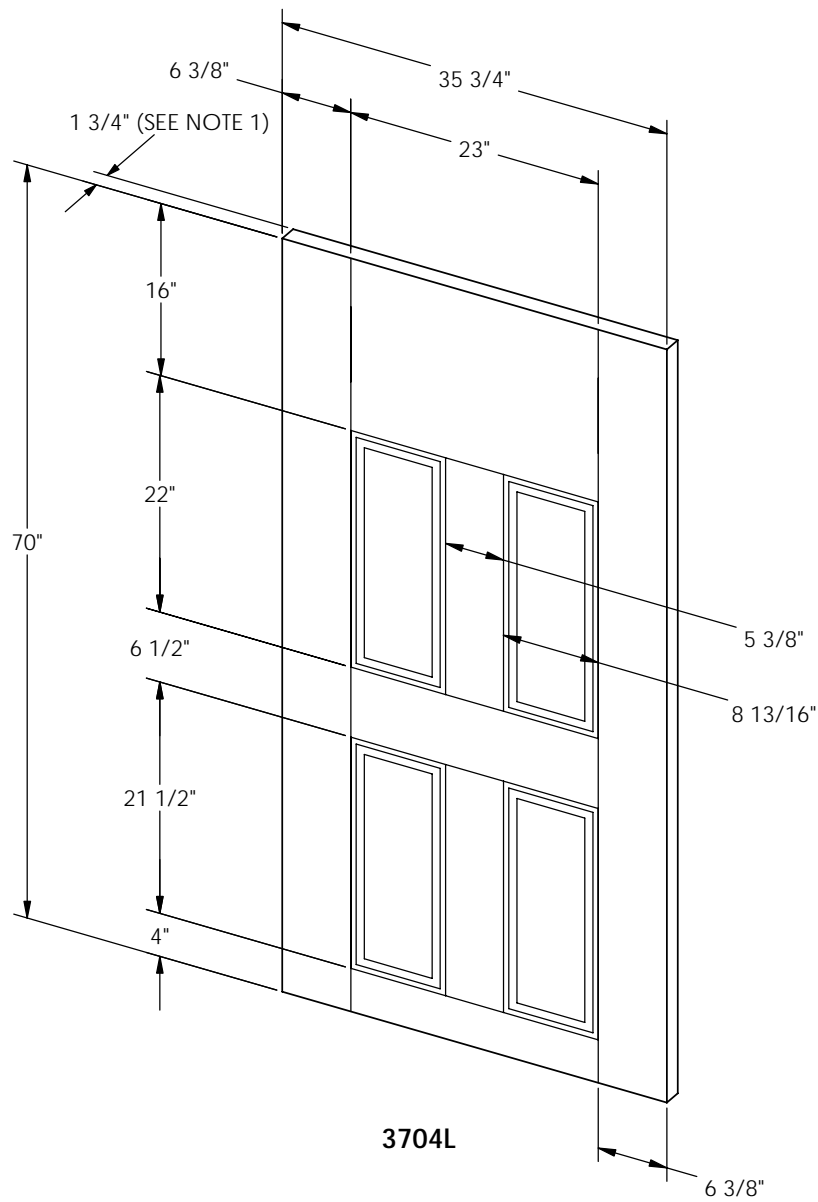


3786S

**NOTES:**



1. DOORS ARE AVAILABLE IN 1 3/4" AND 1 1/4" THICKNESS.
2. FIBERGLASS WOOD GRAINED SKINS.

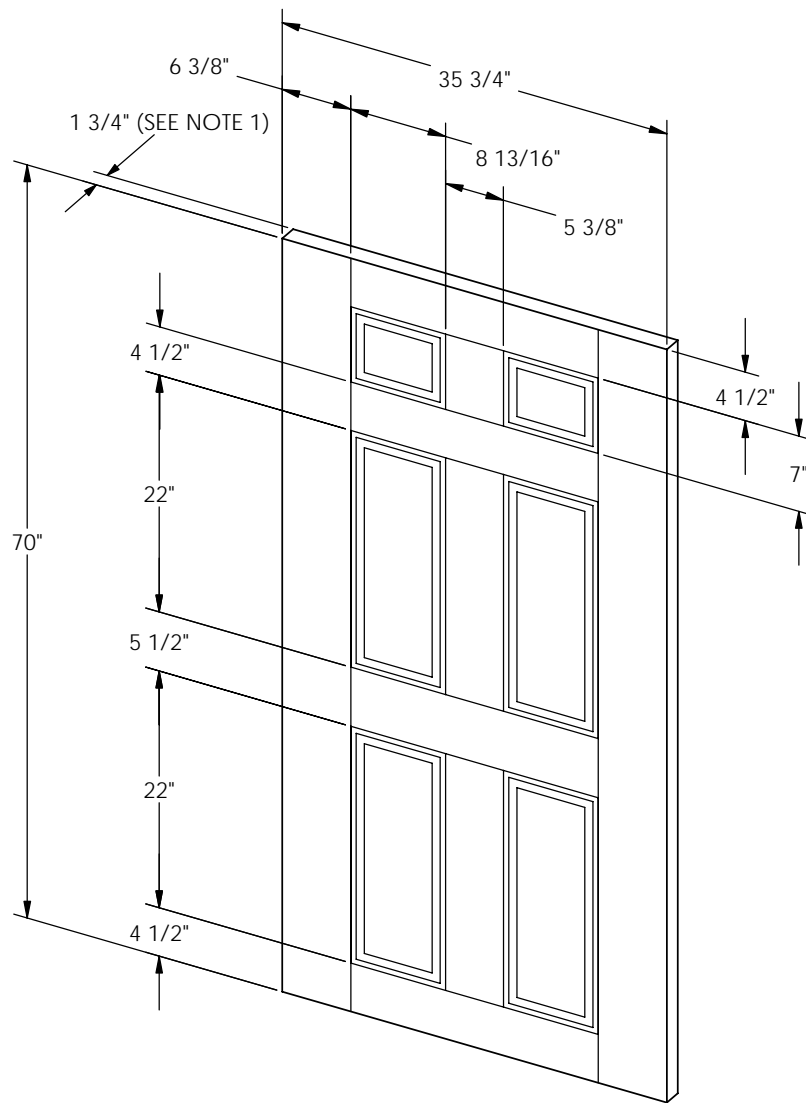
				 The "American Shanty" brand is a part of the Ryan-AL, Inc. family of products.		 Ryan-AL DOOR SYSTEMS "BUILT TO LAST... BUILT TO FIT!"	
-		INITIAL RELEASE		06-01-15		BLAIR	
REV.	DESCRIPTION	DATE	BY		TITLE: <b>6-PANEL F.G. DOOR</b>		
UNLESS OTHERWISE SPECIFIED: DIMENSIONS ARE IN INCHES TOLERANCES: ANGULAR: ±1° PROFILE: ± FABRICATION: ±		PROPRIETARY AND CONFIDENTIAL THE INFORMATION CONTAINED IN THIS DRAWING IS THE SOLE PROPERTY OF Ryan-AL, Inc. ANY REPRODUCTION IN PART OR AS A WHOLE WITHOUT THE WRITTEN PERMISSION OF Ryan-AL, Inc IS PROHIBITED.					
DO NOT SCALE DRAWING		DWG. NO. <b>3786S</b>		REV. -		DRAWN: BLAIR	
		SCALE: 1:1		SHEET 1 OF 1			



**NOTES:**

1. DOORS ARE AVAILABLE IN 1 3/4" AND 1 1/4" THICKNESS.
2. FIBERGLASS WOOD GRAINED SKINS.



				 <small>The "American Shanty" brand is a part of the Ryan-AL, Inc. family of products.</small>  <small>DOOR SYSTEMS</small> <small>"BUILT TO LAST... BUILT TO FIT"</small>	
-		INITIAL RELEASE	06-01-15	BLAIR	
REV.	DESCRIPTION	DATE	BY		
<small>UNLESS OTHERWISE SPECIFIED:          DIMENSIONS ARE IN INCHES          TOLERANCES:          ANGULAR: ±1°          PROFILE: ±          FABRICATION: ±</small>		<small>PROPRIETARY AND CONFIDENTIAL          THE INFORMATION CONTAINED IN THIS DRAWING IS THE SOLE PROPERTY OF Ryan-AL, Inc. ANY REPRODUCTION IN PART OR AS A WHOLE WITHOUT THE WRITTEN PERMISSION OF Ryan-AL, Inc IS PROHIBITED.</small>			
		TITLE:		4-PANEL F.G. DOOR	
DWG. NO.		3704L		REV -	
DRAWN: BLAIR		SCALE: 1:1		SHEET 1 OF 1	

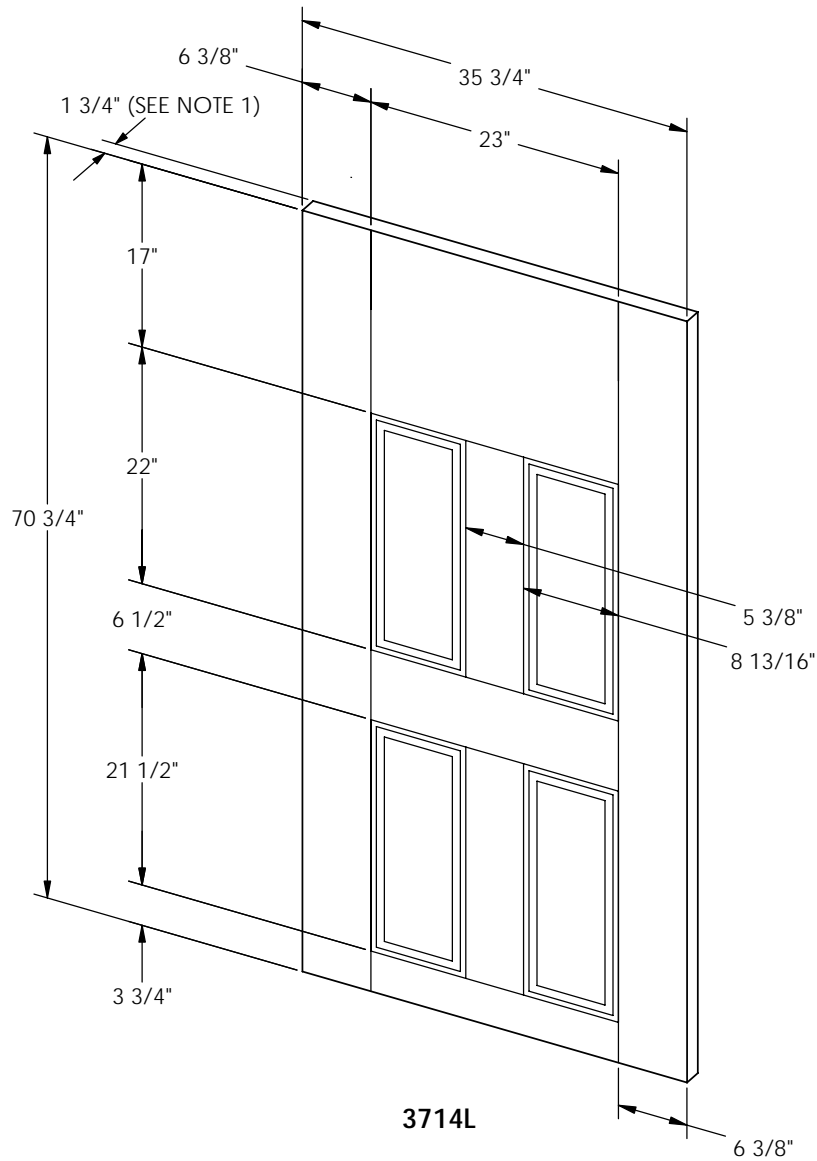


3706L

**NOTES:**



1. DOORS ARE AVAILABLE IN 1 3/4" AND 1 1/4" THICKNESS.
2. FIBERGLASS WOOD GRAINED SKINS.

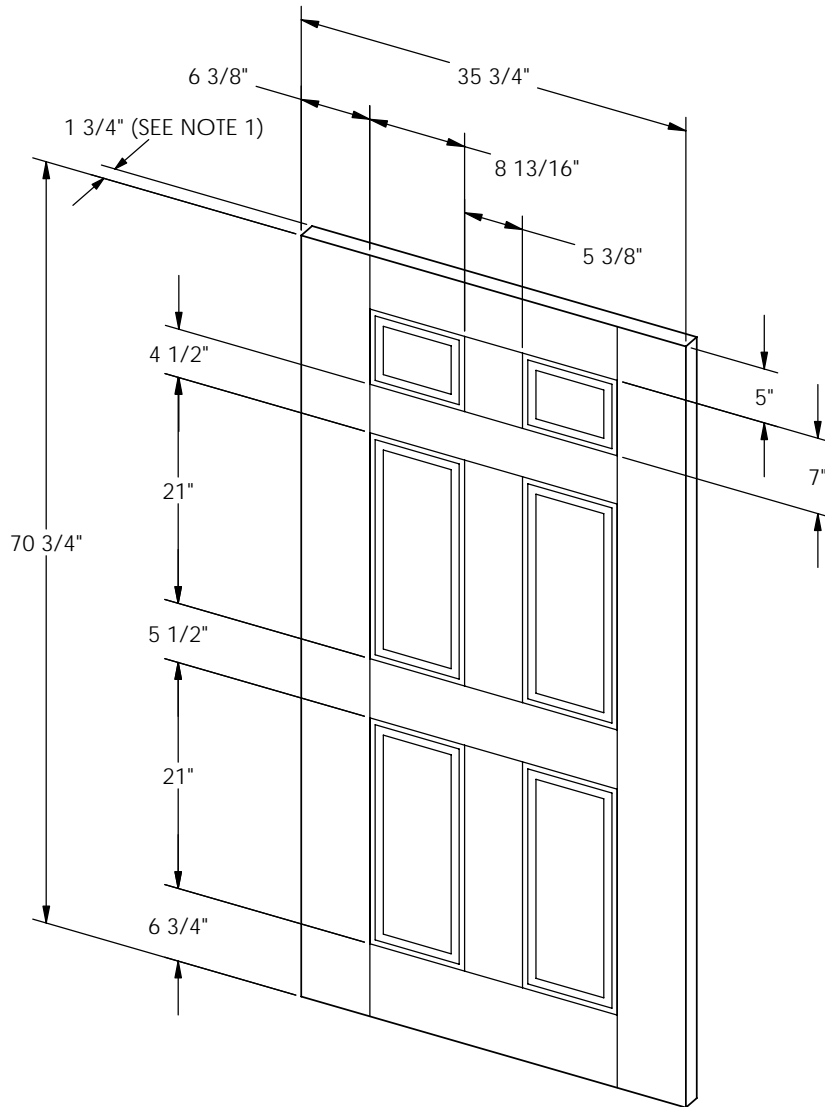
				 <small>The "American Shanty" brand is a part of the Ryan-AL, Inc. family of products.</small>  <small>DOOR SYSTEMS</small> <small>"BUILT TO LAST... BECAUSE IT'S REALITY."</small>	
-		INITIAL RELEASE	06-01-15	BLAIR	
REV.	DESCRIPTION	DATE	BY		
<small>UNLESS OTHERWISE SPECIFIED:          DIMENSIONS ARE IN INCHES          TOLERANCES:          ANGULAR: ±1°          PROFILE: ±          FABRICATION: ±</small>		<small>PROPRIETARY AND CONFIDENTIAL          THE INFORMATION CONTAINED IN THIS DRAWING IS THE SOLE PROPERTY OF Ryan-AL, Inc. ANY REPRODUCTION IN PART OR AS A WHOLE WITHOUT THE WRITTEN PERMISSION OF Ryan-AL, Inc IS PROHIBITED.</small>			
		TITLE:		6-PANEL F.G. DOOR	
DWG. NO.		3706L		REV -	
DRAWN: BLAIR		SCALE: 1:1		SHEET 1 OF 1	



**NOTES:**

1. DOORS ARE AVAILABLE IN 1 3/4" AND 1 1/4" THICKNESS.
2. FIBERGLASS WOOD GRAINED SKINS.



				 <small>The "American Shanty" brand is a part of the Ryan-AL, Inc. family of products.</small>  <small>DOOR SYSTEMS</small> <small>"BUILT TO LAST... BUILT TO FIT"</small>	
-		INITIAL RELEASE	06-01-15	BLAIR	
REV.	DESCRIPTION	DATE	BY		
<small>UNLESS OTHERWISE SPECIFIED:          DIMENSIONS ARE IN INCHES          TOLERANCES:          ANGULAR: ±1°          PROFILE: ±          FABRICATION: ±</small>		<small>PROPRIETARY AND CONFIDENTIAL          THE INFORMATION CONTAINED IN THIS DRAWING IS THE SOLE PROPERTY OF Ryan-AL, Inc. ANY REPRODUCTION IN PART OR AS A WHOLE WITHOUT THE WRITTEN PERMISSION OF Ryan-AL, Inc IS PROHIBITED.</small>			
		TITLE:		4-PANEL F.G. DOOR	
		DWG. NO.		3714L	
		DRAWN: BLAIR		SCALE: 1:1	SHEET 1 OF 1

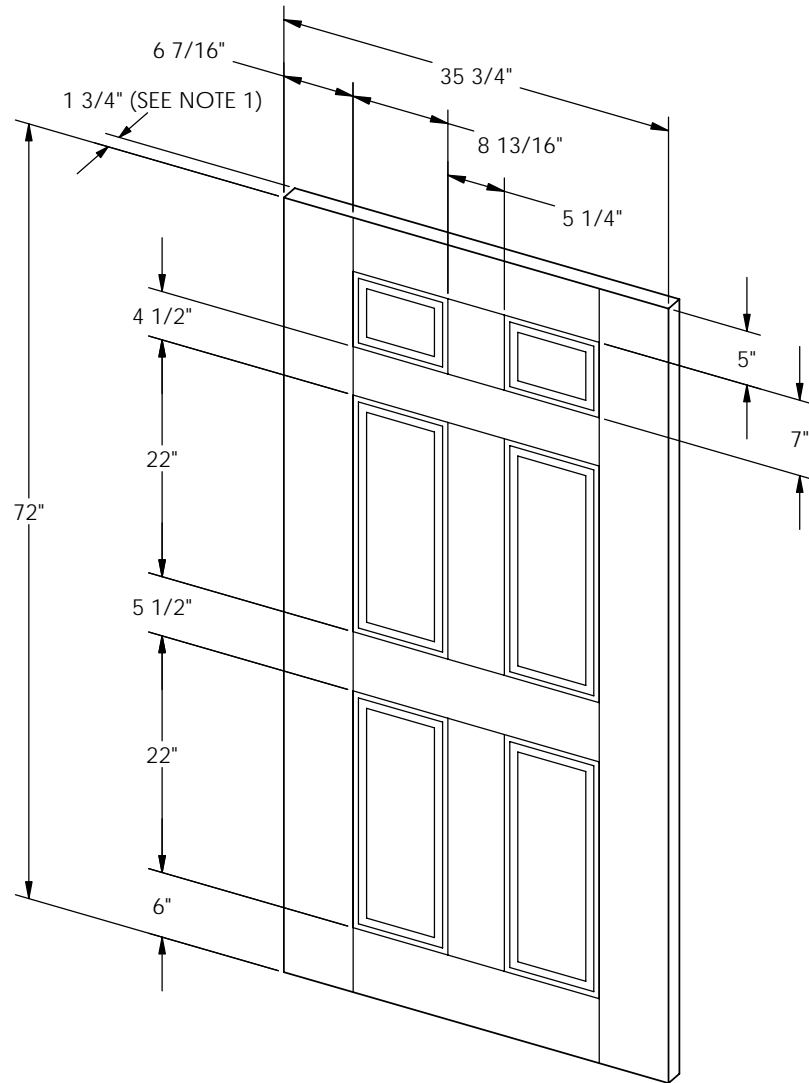


3716L

**NOTES:**

1. DOORS ARE AVAILABLE IN 1 3/4" AND 1 1/4" THICKNESS.
2. FIBERGLASS WOOD GRAINED SKINS.



				 <small>The "American Shanty" brand is a part of the Ryan-AL, Inc. family of products.</small>  <small>DOOR SYSTEMS "BUILT TO LAST... BUILT TO FIT"</small>	
-		INITIAL RELEASE	06-01-15	BLAIR	
REV.	DESCRIPTION	DATE	BY		
UNLESS OTHERWISE SPECIFIED: DIMENSIONS ARE IN INCHES TOLERANCES: ANGULAR: ±1° PROFILE: ± FABRICATION: ±		PROPRIETARY AND CONFIDENTIAL THE INFORMATION CONTAINED IN THIS DRAWING IS THE SOLE PROPERTY OF Ryan-AL, Inc. ANY REPRODUCTION IN PART OR AS A WHOLE WITHOUT THE WRITTEN PERMISSION OF Ryan-AL, Inc IS PROHIBITED.			
DO NOT SCALE DRAWING				TITLE: <b>6-PANEL F.G. DOOR</b>	
		DWG. NO. <b>3716L</b>		REV. -	
		DRAWN: BLAIR		SCALE: 1:1 SHEET 1 OF 1	

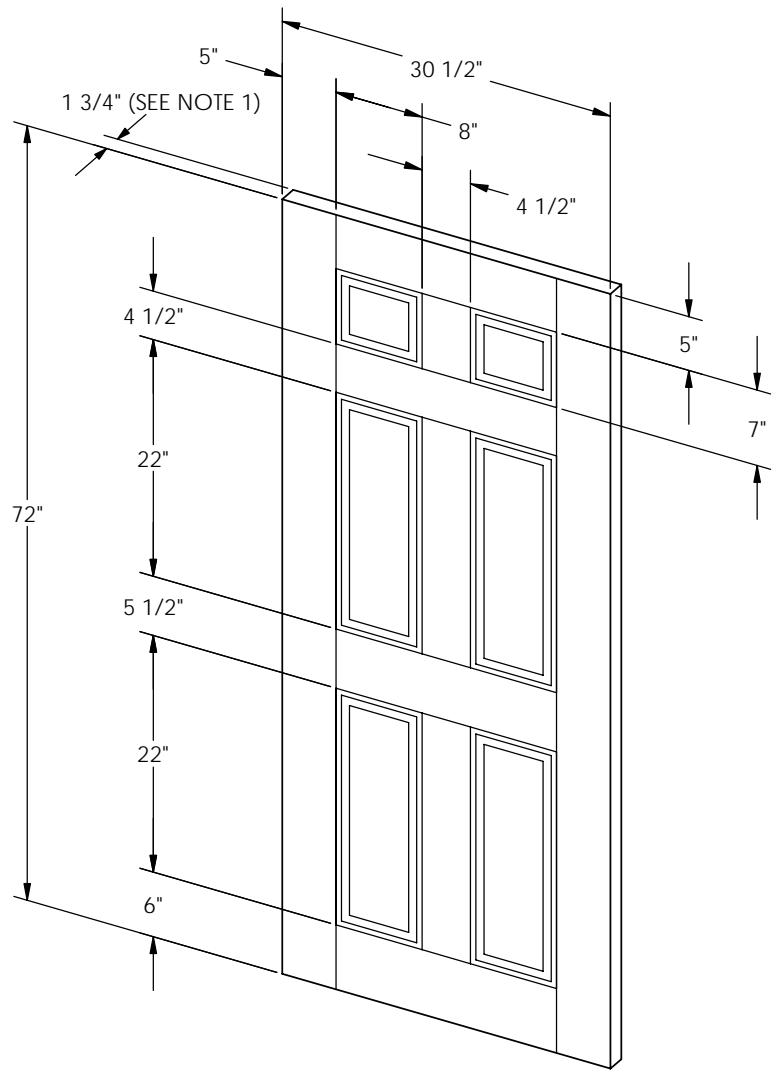


3726L

**NOTES:**

1. DOORS ARE AVAILABLE IN 1 3/4" AND 1 1/4" THICKNESS.
2. FIBERGLASS WOOD GRAINED SKINS.



				 <small>The "American Shanty" brand is a part of the Ryan-AL, Inc. family of products.</small>  <small>DOOR SYSTEMS</small> <small>"BUILT TO LAST... BUILT TO FIT"</small>			
-		INITIAL RELEASE		04-27-15		BLAIR	
REV.	DESCRIPTION	DATE	BY				
UNLESS OTHERWISE SPECIFIED: DIMENSIONS ARE IN INCHES TOLERANCES: ANGULAR: ±1° PROFILE: ± FABRICATION: ±		PROPRIETARY AND CONFIDENTIAL THE INFORMATION CONTAINED IN THIS DRAWING IS THE SOLE PROPERTY OF Ryan-AL, Inc. ANY REPRODUCTION IN PART OR AS A WHOLE WITHOUT THE WRITTEN PERMISSION OF Ryan-AL, Inc IS PROHIBITED.					
DO NOT SCALE DRAWING				TITLE:		6-PANEL F.G. DOOR	
		DWG. NO.		3726L		REV -	
		DRAWN: BLAIR		SCALE: 1:1		SHEET 1 OF 1	

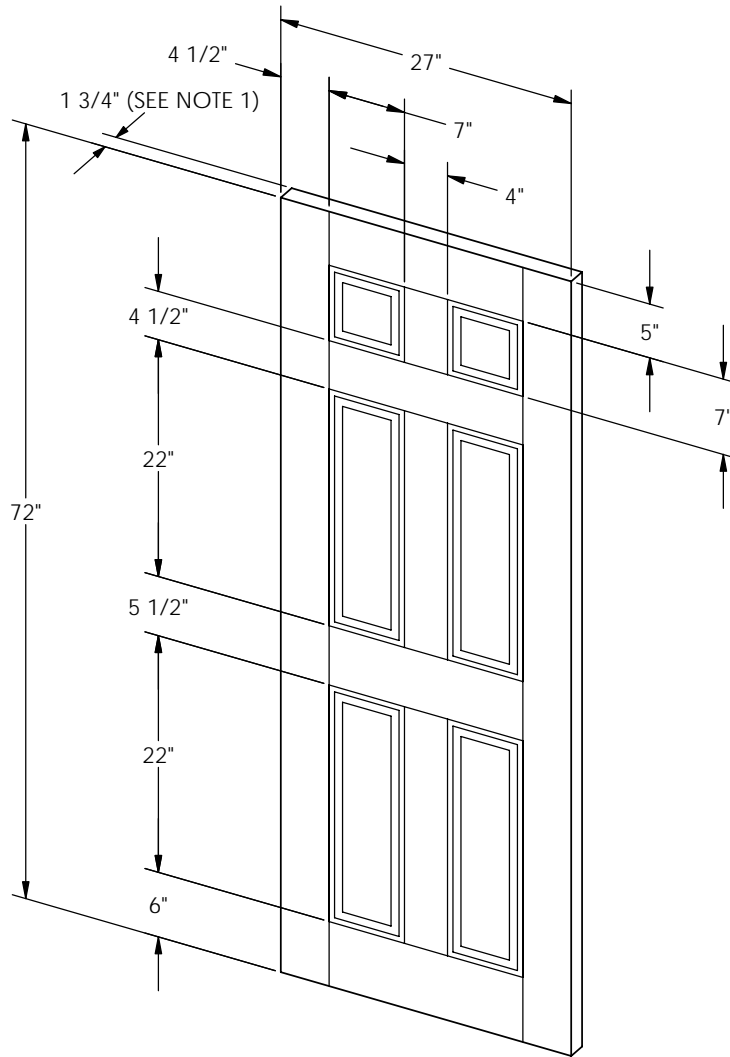


3726M

**NOTES:**

1. DOORS ARE AVAILABLE IN 1 3/4" AND 1 1/4" THICKNESS.
2. FIBERGLASS WOOD GRAINED SKINS.



				 The "American Shanty" brand is a part of the Ryan-AL, Inc. family of products.		 Ryan-AL DOOR SYSTEMS "BUILT TO LAST... BUILT TO FIT"			
-		INITIAL RELEASE		04-27-15		BLAIR			
REV.	DESCRIPTION	DATE	BY		TITLE:				
UNLESS OTHERWISE SPECIFIED: DIMENSIONS ARE IN INCHES TOLERANCES: ANGULAR: ±1° PROFILE: ± FABRICATION: ±				PROPRIETARY AND CONFIDENTIAL THE INFORMATION CONTAINED IN THIS DRAWING IS THE SOLE PROPERTY OF Ryan-AL, Inc. ANY REPRODUCTION IN PART OR AS A WHOLE WITHOUT THE WRITTEN PERMISSION OF Ryan-AL, Inc IS PROHIBITED.				<b>6-PANEL F.G. DOOR</b>	
		DWG. NO.		3726M		REV -			
		DRAWN: BLAIR		SCALE: 1:1		SHEET 1 OF 1			



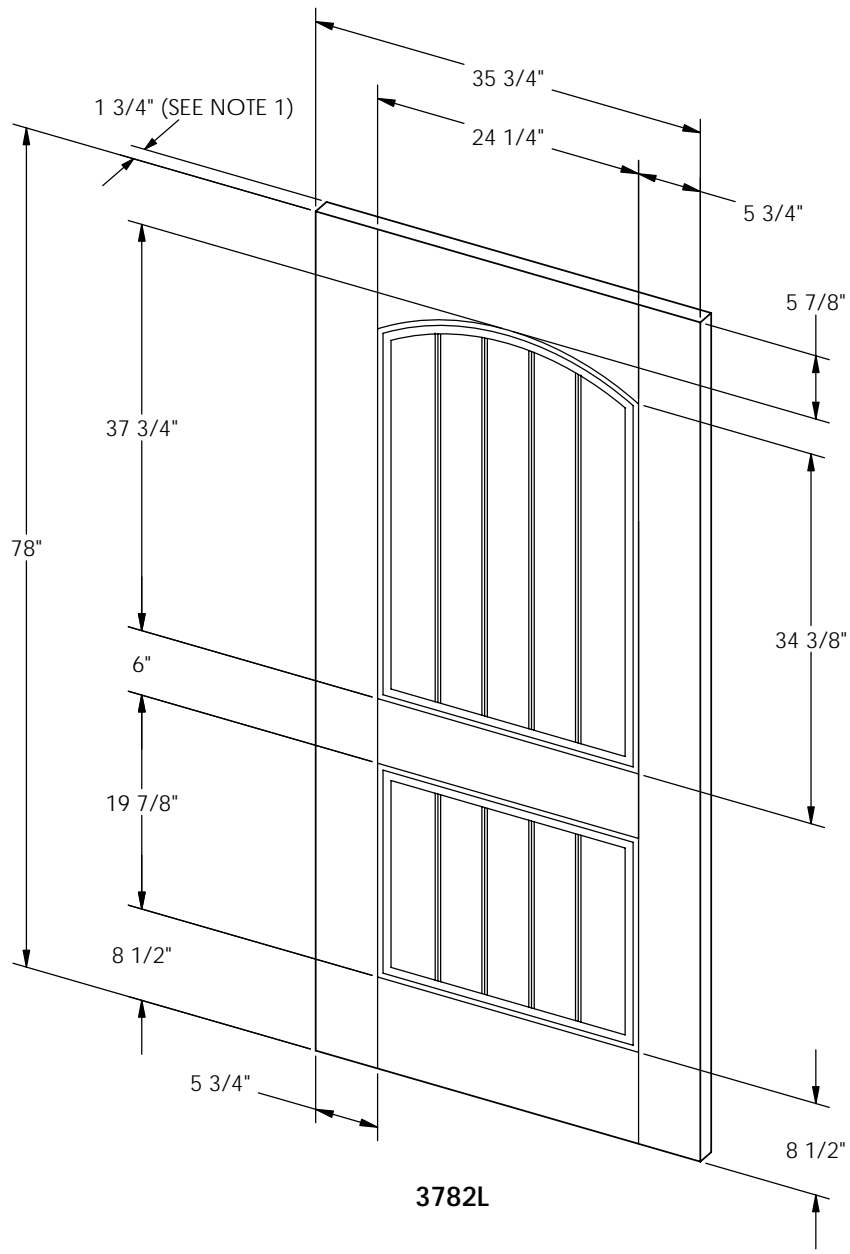
3726S

**NOTES:**

1. DOORS ARE AVAILABLE IN 1 3/4" AND 1 1/4" THICKNESS.
2. FIBERGLASS WOOD GRAINED SKINS.

						<small>The "American Shanty" brand is a part of the Ryan-AL, Inc. family of products.</small>			
-		INITIAL RELEASE		04-27-15		BLAIR		TITLE:	
REV.	DESCRIPTION	DATE	BY	6-PANEL F.G. DOOR					
<small>UNLESS OTHERWISE SPECIFIED: DIMENSIONS ARE IN INCHES TOLERANCES: ANGULAR: ±1° PROFILE: ± FABRICATION: ±</small>				<small>PROPRIETARY AND CONFIDENTIAL THE INFORMATION CONTAINED IN THIS DRAWING IS THE SOLE PROPERTY OF Ryan-AL, Inc. ANY REPRODUCTION IN PART OR AS A WHOLE WITHOUT THE WRITTEN PERMISSION OF Ryan-AL, Inc IS PROHIBITED.</small>					
DO NOT SCALE DRAWING				DWG. NO. 3726S		REV. -		DRAWN: BLAIR	
				SCALE: 1:1		SHEET 1 OF 1			






**NOTES:**


1. DOORS ARE AVAILABLE IN 1 3/4" AND 1 1/4" THICKNESS.
2. FIBERGLASS WOOD GRAINED SKINS.

	INITIAL RELEASE	04-27-15	BLAIR
REV.	DESCRIPTION	DATE	BY
UNLESS OTHERWISE SPECIFIED: DIMENSIONS ARE IN INCHES TOLERANCES: ANGULAR: ±1° PROFILE: ± FABRICATION: ±		PROPRIETARY AND CONFIDENTIAL THE INFORMATION CONTAINED IN THIS DRAWING IS THE SOLE PROPERTY OF Ryan-AL, Inc. ANY REPRODUCTION IN PART OR AS A WHOLE WITHOUT THE WRITTEN PERMISSION OF Ryan-AL, Inc IS PROHIBITED.	
DO NOT SCALE DRAWING			



Steel Appeal

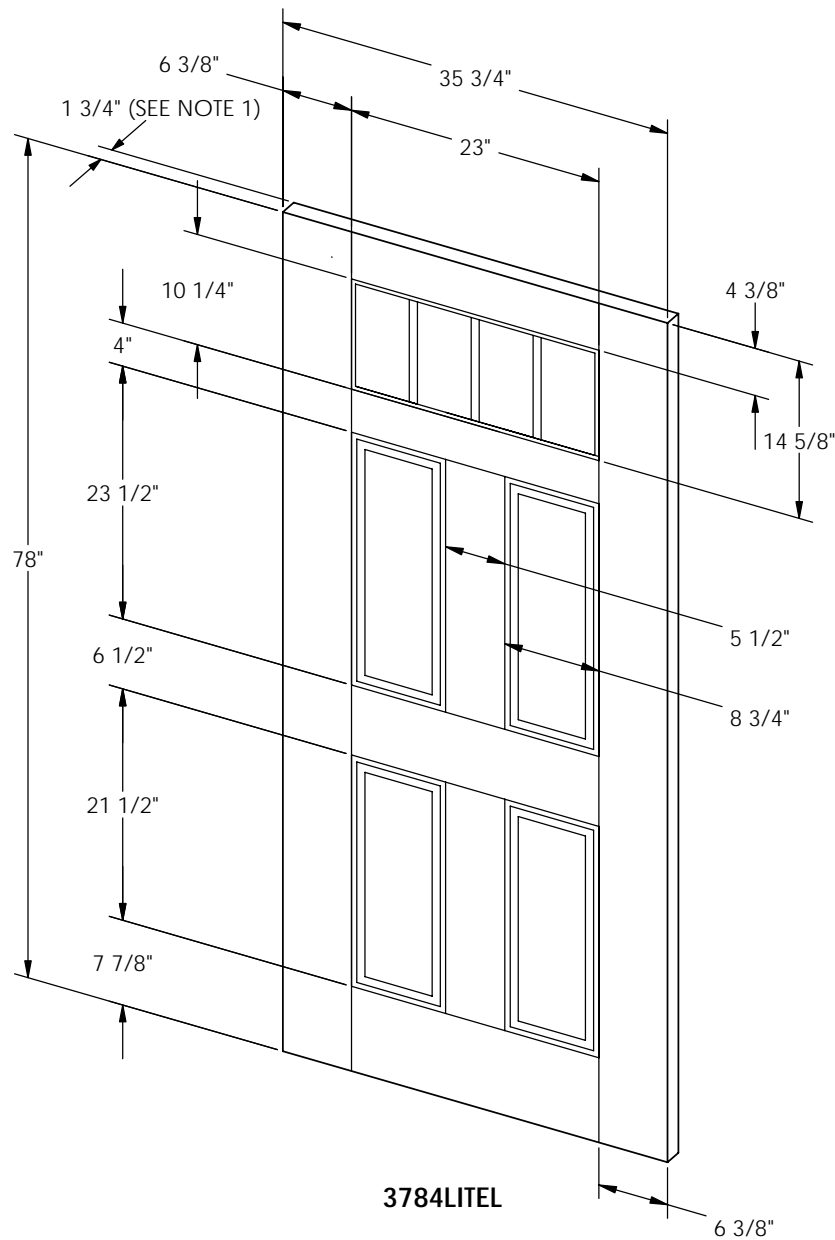
The "American Shanty" brand is a part of the Ryan-AL, Inc. family of products.



DOOR SYSTEMS  
"BUILT TO LAST... BUILT TO FIT."

TITLE: <b>TOP ARCH 2-PANEL F.G. DOOR</b>		
DWG. NO. <b>3782L</b>	REV. <b>-</b>	
DRAWN: BLAIR	SCALE: 1:1	SHEET 1 OF 1

**3782L**

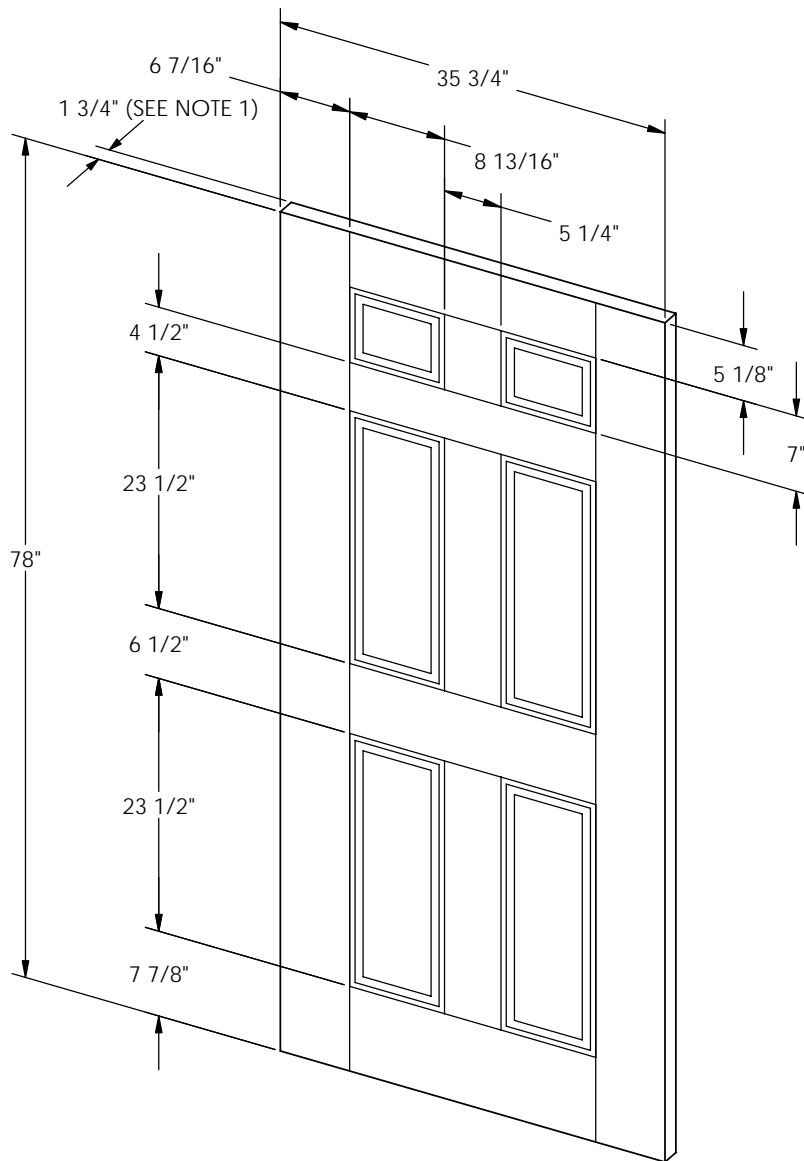


3784LITEL

**NOTES:**

1. DOORS ARE AVAILABLE IN 1 3/4" AND 1 1/4" THICKNESS.
2. FIBERGLASS WOOD GRAINED SKINS.



				The "American Shanty" brand is a part of the Ryan-AL, Inc. family of products.        DOOR SYSTEMS "BUILT TO LAST... BECAUSE IT'S REALITY"			
-		INITIAL RELEASE		04-27-15		BLAIR	
REV.	DESCRIPTION	DATE	BY				
UNLESS OTHERWISE SPECIFIED: DIMENSIONS ARE IN INCHES TOLERANCES: ANGULAR: ±1° PROFILE: ± FABRICATION: ±		PROPRIETARY AND CONFIDENTIAL THE INFORMATION CONTAINED IN THIS DRAWING IS THE SOLE PROPERTY OF Ryan-AL, Inc. ANY REPRODUCTION IN PART OR AS A WHOLE WITHOUT THE WRITTEN PERMISSION OF Ryan-AL, Inc IS PROHIBITED.					
DO NOT SCALE DRAWING		TITLE:		4-LITE/4-PANEL F.G. DOOR			
		DWG. NO.		3784LITEL		REV -	
		DRAWN: BLAIR		SCALE: 1:1		SHEET 1 OF 1	

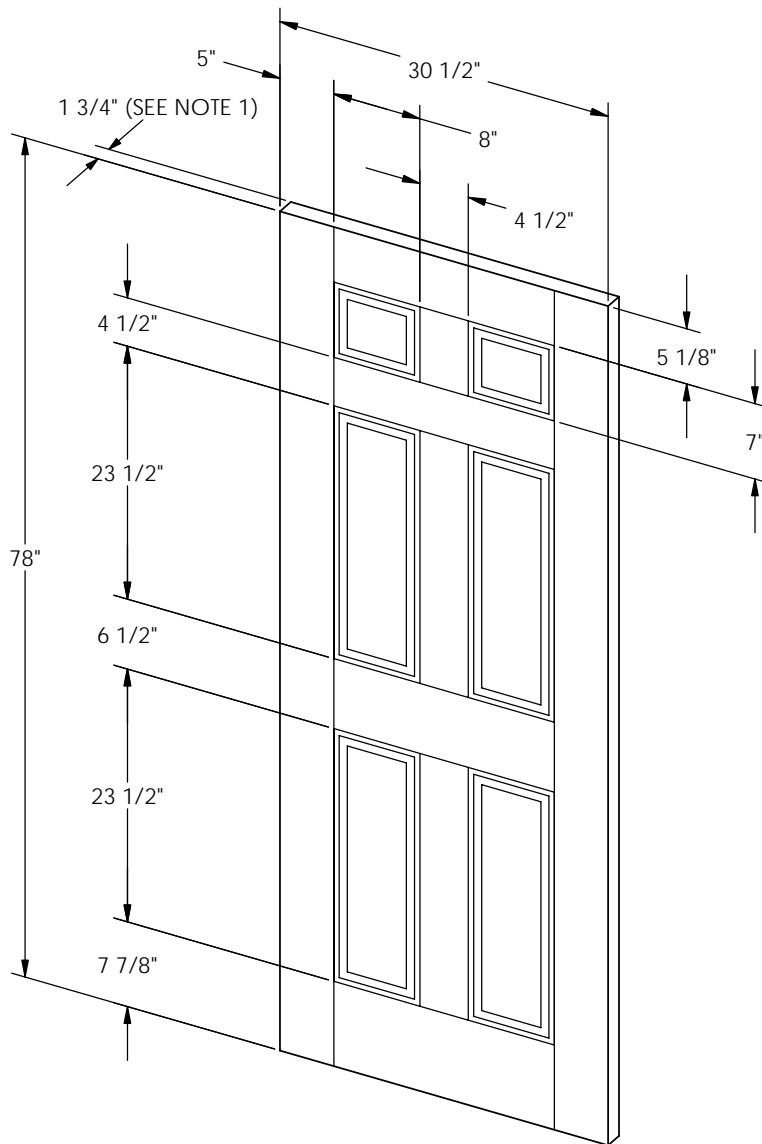


3786L

**NOTES:**

1. DOORS ARE AVAILABLE IN 1 3/4" AND 1 1/4" THICKNESS.
2. FIBERGLASS WOOD GRAINED SKINS.



				 <small>The "American Shanty" brand is a part of the Ryan-AL, Inc. family of products.</small>  <small>DOOR SYSTEMS</small> <small>"BUILT TO LAST... BUILT TO FIT"</small>	
-		INITIAL RELEASE	04-27-15	BLAIR	
REV.	DESCRIPTION	DATE	BY		
<small>UNLESS OTHERWISE SPECIFIED:          DIMENSIONS ARE IN INCHES          TOLERANCES:          ANGULAR: ±1°          PROFILE: ±          FABRICATION: ±</small>		<small>PROPRIETARY AND CONFIDENTIAL          THE INFORMATION CONTAINED IN THIS DRAWING IS THE SOLE PROPERTY OF Ryan-AL, Inc. ANY REPRODUCTION IN PART OR AS A WHOLE WITHOUT THE WRITTEN PERMISSION OF Ryan-AL, Inc IS PROHIBITED.</small>			
		TITLE:		6-PANEL F.G. DOOR	
		DWG. NO.		3786L	
		DRAWN: BLAIR		SCALE: 1:1	SHEET 1 OF 1
		REV		-	

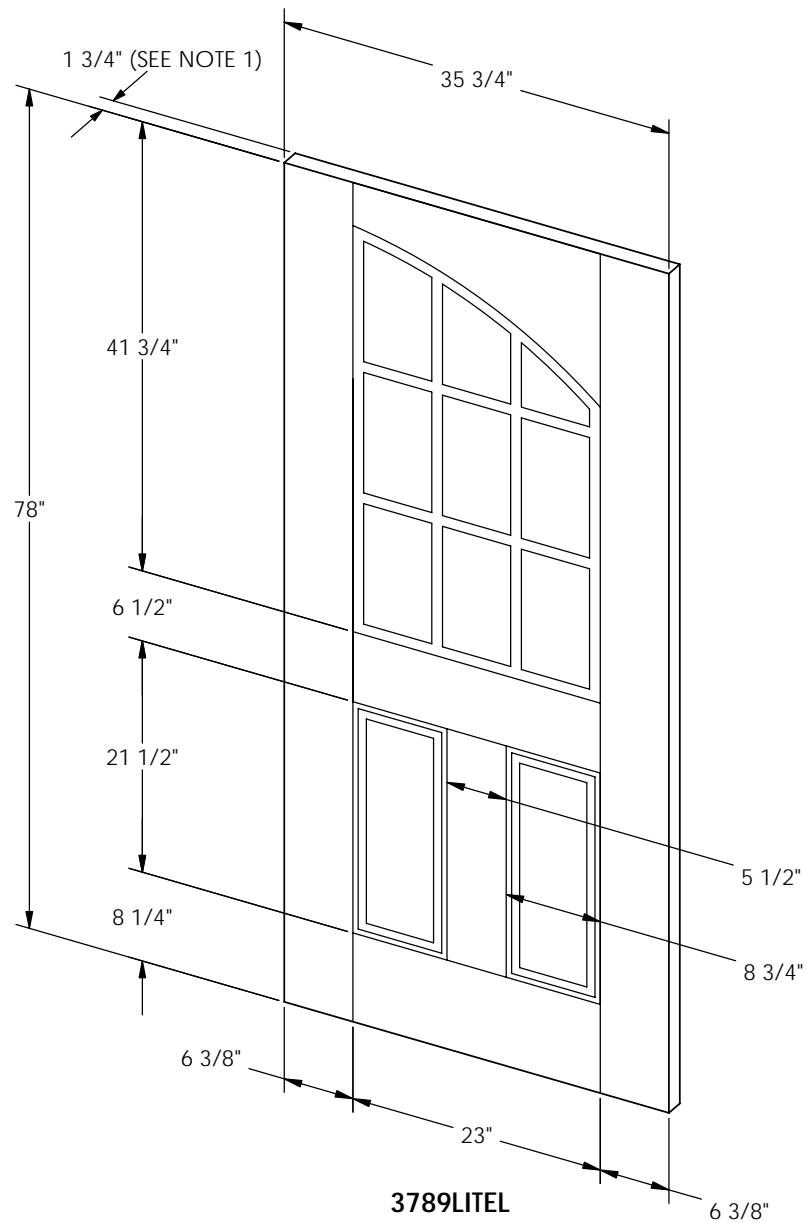


3786M

**NOTES:**

1. DOORS ARE AVAILABLE IN 1 3/4" AND 1 1/4" THICKNESS.
2. FIBERGLASS WOOD GRAINED SKINS.


				 <small>The "American Shanty" brand is a part of the Ryan-AL, Inc. family of products.</small>  <small>DOOR SYSTEMS "BUILT TO LAST... BUILT TO FIT"</small>	
-		INITIAL RELEASE	04-27-15	BLAIR	
REV.	DESCRIPTION	DATE	BY		
<small>UNLESS OTHERWISE SPECIFIED: DIMENSIONS ARE IN INCHES TOLERANCES: ANGULAR: ±1° PROFILE: ± FABRICATION: ±</small>		<small>PROPRIETARY AND CONFIDENTIAL THE INFORMATION CONTAINED IN THIS DRAWING IS THE SOLE PROPERTY OF Ryan-AL, Inc. ANY REPRODUCTION IN PART OR AS A WHOLE WITHOUT THE WRITTEN PERMISSION OF Ryan-AL, Inc IS PROHIBITED.</small>			
		<b>TITLE:</b> <h2 style="text-align: center;">6-PANEL F.G. DOOR</h2>			
		<b>DWG. NO.</b> <h2 style="text-align: center;">3786M</h2>		<b>REV</b> -	
		<b>DRAWN:</b> BLAIR		<b>SCALE:</b> 1:1 <b>SHEET</b> 1 OF 1	
<small>DO NOT SCALE DRAWING</small>					



**NOTES:**


1. DOORS ARE AVAILABLE IN 1 3/4" AND 1 1/4" THICKNESS.
2. FIBERGLASS WOOD GRAINED SKINS.

REV.	DESCRIPTION	DATE	BY
-	INITIAL RELEASE	04-27-15	BLAIR
UNLESS OTHERWISE SPECIFIED: DIMENSIONS ARE IN INCHES TOLERANCES: ANGULAR: ±1° PROFILE: ± FABRICATION: ±		PROPRIETARY AND CONFIDENTIAL THE INFORMATION CONTAINED IN THIS DRAWING IS THE SOLE PROPERTY OF Ryan-AL, Inc. ANY REPRODUCTION IN PART OR AS A WHOLE WITHOUT THE WRITTEN PERMISSION OF Ryan-AL, Inc IS PROHIBITED.	
DO NOT SCALE DRAWING			



SH and Appeal

The "American Shanty"  
brand is a part of the  
Ryan-AL, Inc. family of  
products.



DOOR SYSTEMS  
"BUILT TO LAST... BUILT TO FIT"

<b>TITLE:</b>	
<b>9-LITE/2-PANEL F.G. HALF ARCH DOOR</b>	
<b>DWG. NO.</b>	<b>3789LITEL</b>
<b>DRAWN:</b> BLAIR	<b>REV -</b>
<b>SCALE:</b> 1:1	<b>SHEET 1 OF 1</b>